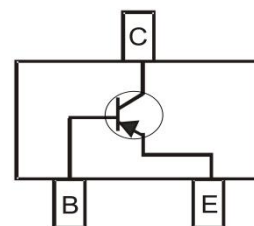


BIPOLAR TRANSISTOR (PNP)
FEATURES

- Complementary to SS8050
- Excellent h_{FE} Linearity
- High Collector Current
- Surface Mount device

MECHANICAL DATA

- Case: SOT-23
- Case Material: Molded Plastic. UL flammability
- Classification Rating: 94V-0
- Weight: 0.008 grams (approximate)

SOT-23

MAXIMUM RATINGS ($T_A = 25^\circ\text{C}$ unless otherwise noted)

Parameter	Symbol	Value	Unit
Collector-Base Voltage	V_{CB0}	-40	V
Collector-Emitter Voltage	V_{CEO}	-25	V
Emitter-Base Voltage	V_{EBO}	-5	V
Collector Current	I_C	-1500	mA
Collector Power Dissipation	P_C	300	mW
Thermal Resistance From Junction To Ambient	$R_{\theta JA}$	417	$^\circ\text{C/W}$
Junction Temperature	T_J	150	$^\circ\text{C}$
Storage Temperature	T_{STG}	-55 ~+150	$^\circ\text{C}$

ELECTRICAL CHARACTERISTICS ($T_A = 25^\circ\text{C}$ unless otherwise specified)

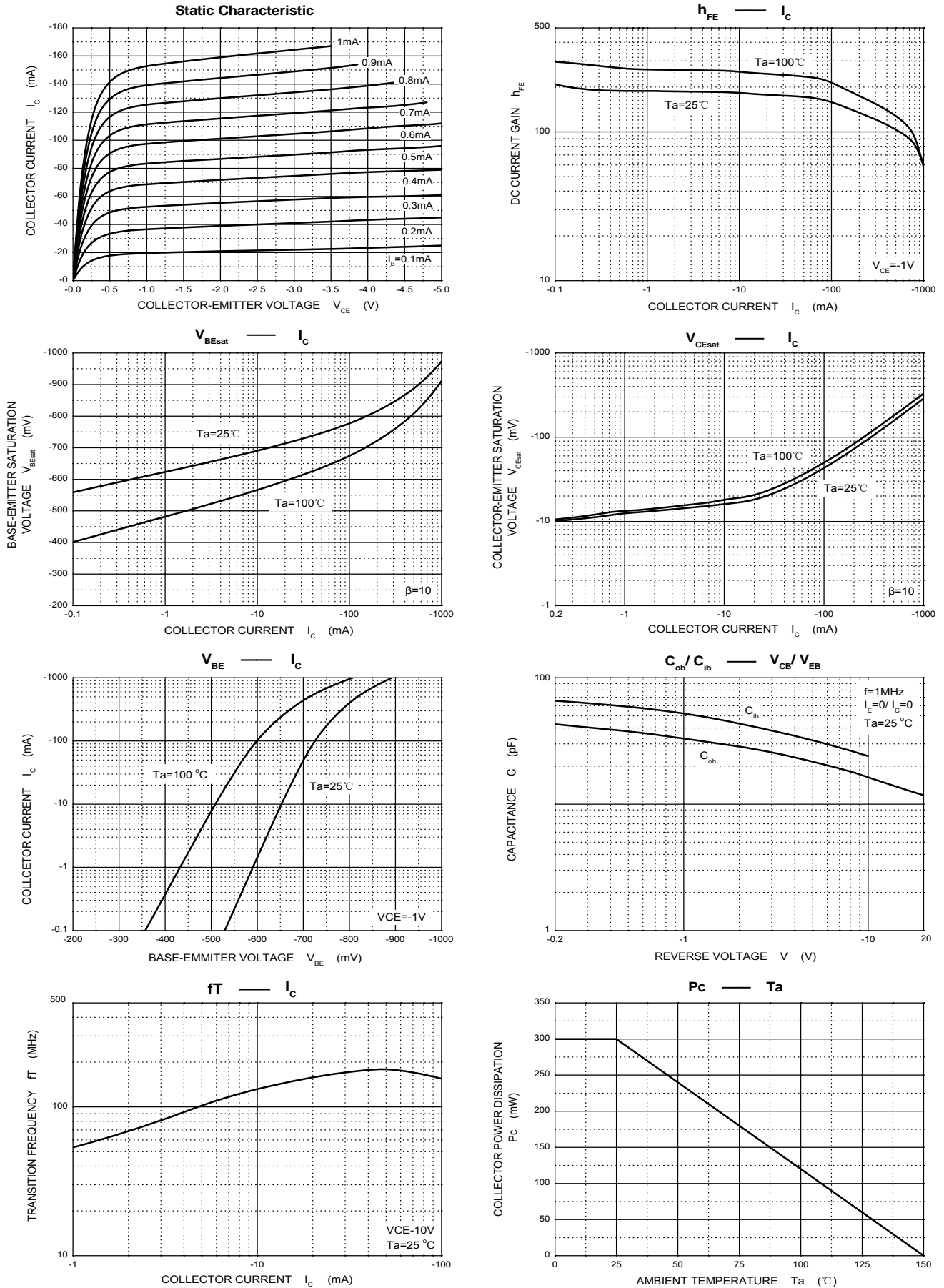
Parameter	Symbol	Min	Typ	Max	Unit	Conditions
Collector-base breakdown voltage	$V_{(BR)CB0}$	-40			V	$I_C = -100\mu\text{A}$, $I_E = 0$
Collector-emitter breakdown voltage	$V_{(BR)CEO}$	-25			V	$I_C = -0.1\text{mA}$, $I_B = 0$
Emitter-base breakdown voltage	$V_{(BR)EBO}$	-5			V	$I_E = -100\mu\text{A}$, $I_C = 0$
Collector cut-off current	I_{CB0}			-0.1	μA	$V_{CB} = -40\text{V}$, $I_E = 0$
Collector cut-off current	I_{CEO}			-0.1	μA	$V_{CE} = -20\text{V}$, $I_B = 0$
Emitter cut-off current	I_{EBO}			-0.1	μA	$V_{EB} = -5\text{V}$, $I_C = 0$
DC current gain	h_{FE1}	120		400		$V_{CE} = -1\text{V}$, $I_C = -100\text{mA}$
	h_{FE2}	40				$V_{CE} = -1\text{V}$, $I_C = -800\text{mA}$
Collector-emitter saturation voltage	$V_{CE(sat)}$			-0.5	V	$I_C = -800\text{mA}$, $I_B = -80\text{mA}$
Base-emitter saturation voltage	$V_{BE(sat)}$			-1.2	V	$I_C = -800\text{mA}$, $I_B = -80\text{mA}$
Base-emitter voltage	V_{BE}			-1	V	$V_{CE} = -1\text{V}$, $I_C = -10\text{mA}$
Transition frequency	f_T	100			MHz	$V_{CE} = -10\text{V}$, $I_C = -50\text{mA}$, $f = 30\text{MHz}$
Collector output capacitance	C_{ob}			20	pF	$V_{CE} = -10\text{V}$, $I_E = 0$, $f = 1\text{MHz}$

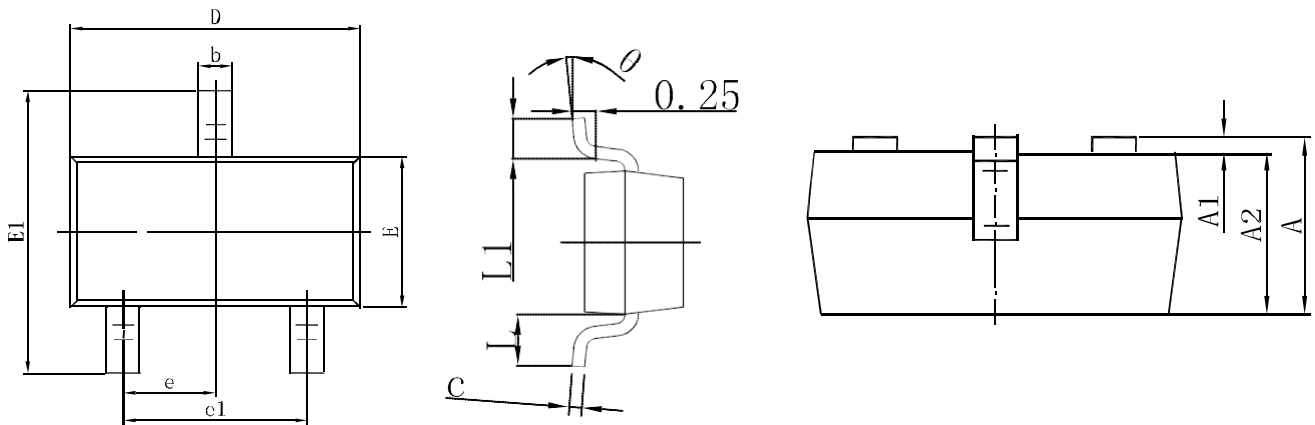
CLASSIFICATION OF h_{FE}

Rank	L	H	J
Range	120-200	200-350	300-400
Marking	Y2		

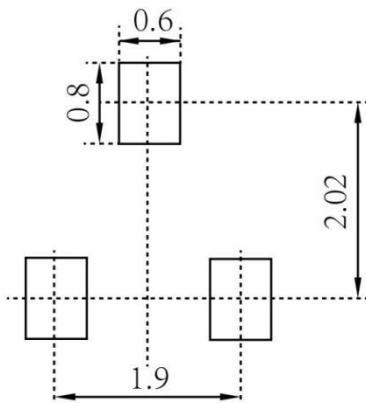
BIPOLAR TRANSISTOR (PNP)

Typical Characteristics

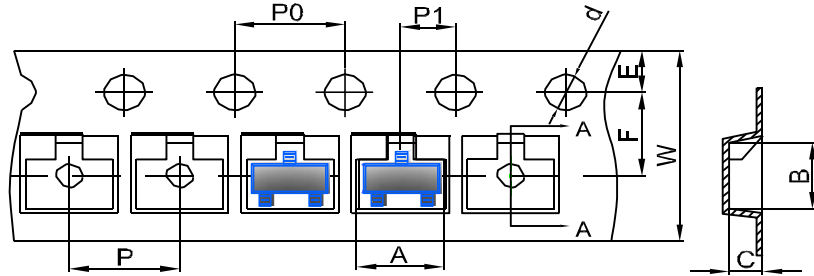


BIPOLAR TRANSISTOR (PNP)
SOT-23 Package Outline Dimensions


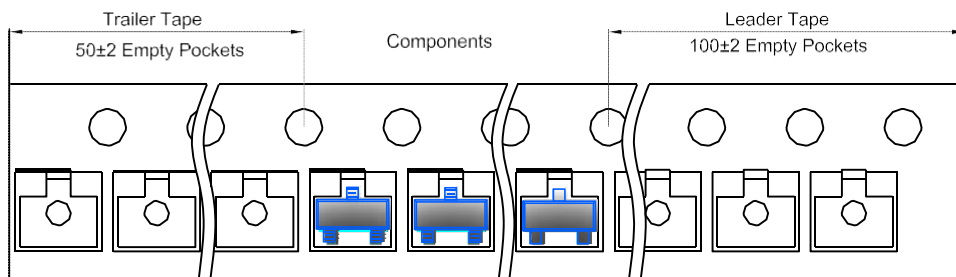
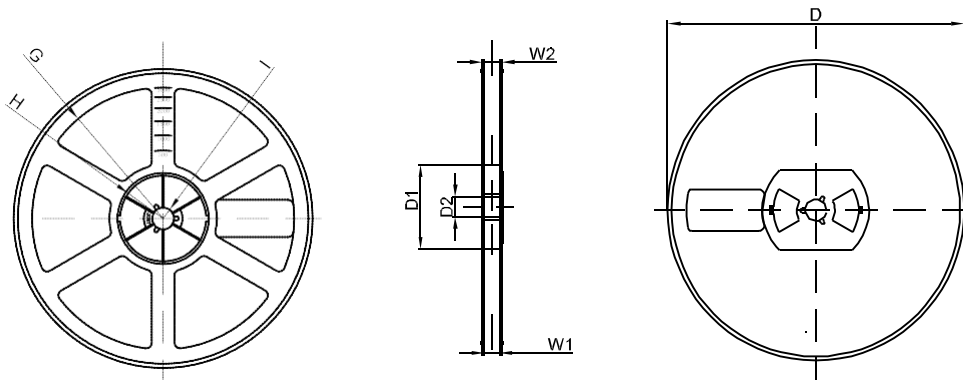
Symbol	Dimensions In Millimeters		Dimensions In Inches	
	Min.	Max.	Min.	Max.
A	0.900	1.150	0.035	0.045
A1	0.000	0.100	0.000	0.004
A2	0.900	1.050	0.035	0.041
b	0.300	0.500	0.012	0.020
c	0.080	0.150	0.003	0.006
D	2.800	3.000	0.110	0.118
E	1.200	1.400	0.047	0.055
E1	2.250	2.550	0.089	0.100
e	0.950 TYP		0.037 TYP	
e1	1.800	2.000	0.071	0.079
L	0.550 REF		0.022 REF	
L1	0.300	0.500	0.012	0.020
θ	0°	8°	0°	8°

SOT-23 Suggested Pad Layout

Note:

1. Controlling dimension: in millimeters
2. General tolerance: $\pm 0.05\text{mm}$
3. The pad layout is for reference purposes only

BIPOLAR TRANSISTOR (PNP)
SOT-23 Tape and Reel
SOT-23 Embossed Carrier Tape


DIMENSIONS ARE IN MILLIMETER										
TYPE	A	B	C	d	E	F	P0	P	P1	W
SOT-23	3.15	2.77	1.22	Ø1.50	1.75	3.50	4.00	4.00	2.00	8.00
TOLERANCE	±0.1	±0.1	±0.1	±0.1	±0.1	±0.1	±0.1	±0.1	±0.1	±0.1

SOT-23 Tape Leader and Trailer

SOT-23 Reel


DIMENSIONS ARE IN MILLIMETER								
REEL OPTION	D	D1	D2	G	H	I	W1	W2
7" DIA	Ø178	54.40	13.00	R78	R25.60	R6.50	9.50	12.30
TOLERANCE	±2	±1	±1	±1	±1	±1	±1	±1